

# align front of class unit - 2400 wide.

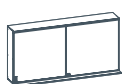
## assembly instructions.



You have received **three** packages, including:



1 x Front of Class Unit Base



1 x Front of Class Unit Top



2 x Front of Class Unit Sides



12 x Surefix Screws - Square  
24 x Titus Hilo Screws - Phillips



24 x Cover Caps

You will need:



Impact Driver  
SQZ Driver bit □  
Pozi Driver Bit ⊕

**Please note:** If you have ordered multiple Front of Class Units, all three packages for the same unit will be identified with the same letter, (e.g. Unit A). Wall fixing hardware not included.

### Step 1

Use multiple people to lift the Front of Class Unit Base to its final location. We recommend the unit is fixed to a wall for safety reasons.

### Step 2

Use multiple people to lift the Front of Class Unit Top onto the Base, ensuring the sides and back of the Base and Top are flush and aligned.

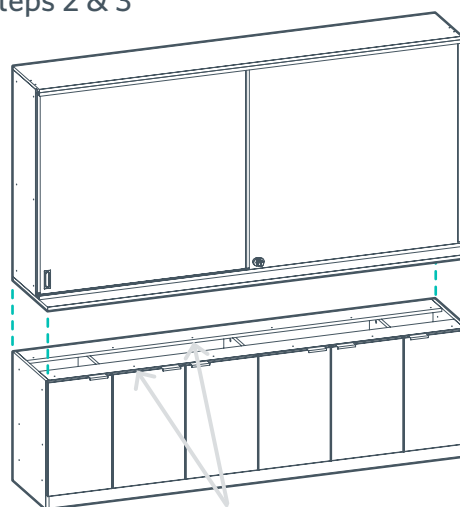
### Step 3

Fasten the Unit Top to the Unit Base by inserting the provided Surefix screws into the pre-drilled holes in the underside of the Unit Base rails and tightening.

### Step 4

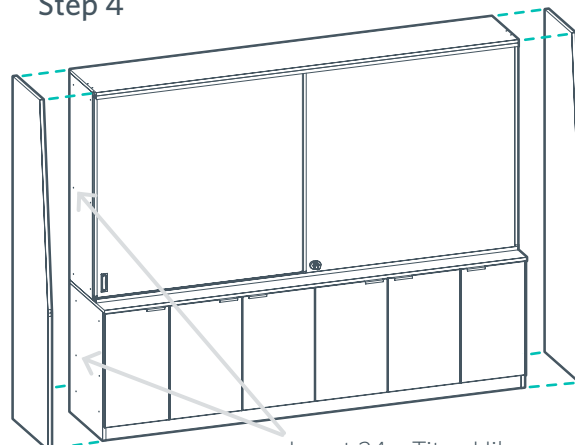
Fasten the Unit Sides to the pre-assembled Base and Top by inserting the Titus Hilo screws provided into the pre-drilled holes in the sides of each unit and fastening. Cover screw heads with the Cover Caps provided.

### Steps 2 & 3



Insert 12 x Surefix screws in front and back rails

### Step 4



Insert 24 x Titus Hilo screws in both sides of the Unit Base and Top